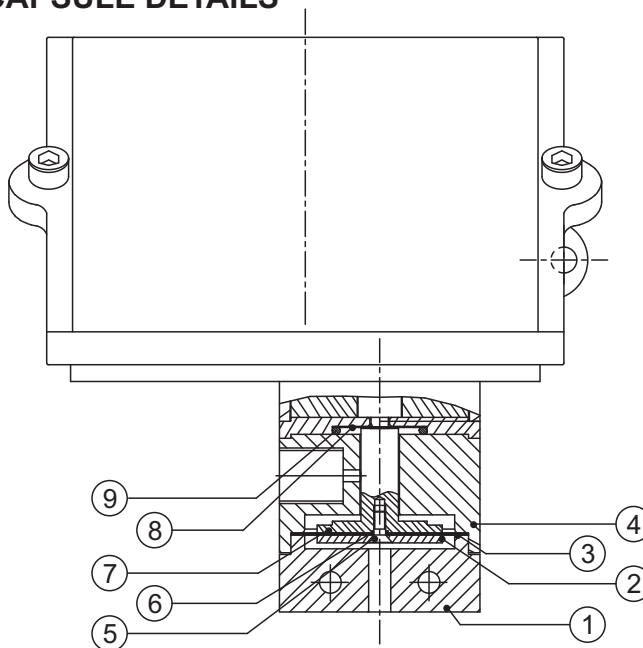




PRESSURE CAPSULE DETAILS



No. Description

1. Pressure Housing
2. HP Plunger (SS 316)
3. Diaphragm
4. Disc
5. CSK Screw (SS)
6. O-Ring (Teflon)
7. LP Plunger (SS 316)
8. Sealing Diaphragm (Teflon)
9. Sealing O-Ring (Teflon)

Note : *wetted parts* are mentioned in italics.

INSTALLATION DRAWING

