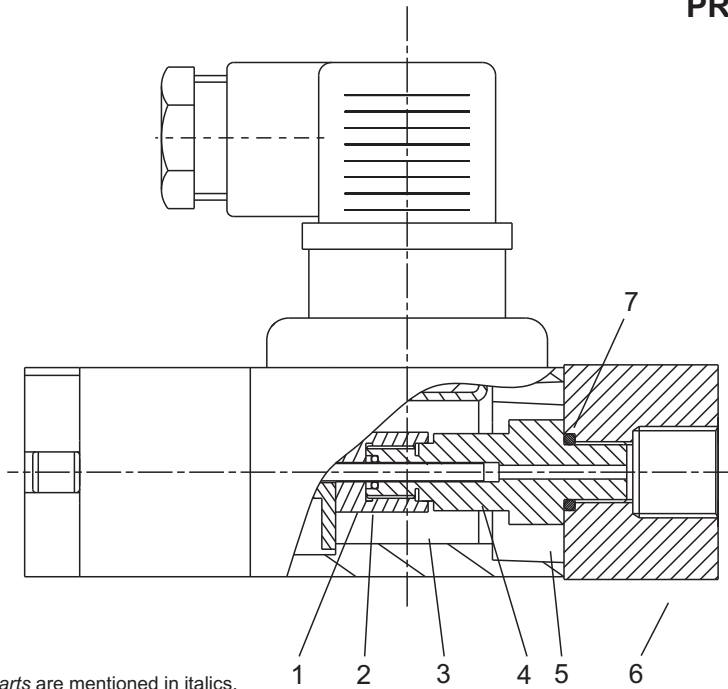


HM350 HYDRAULIC PRESSURE SWITCHES



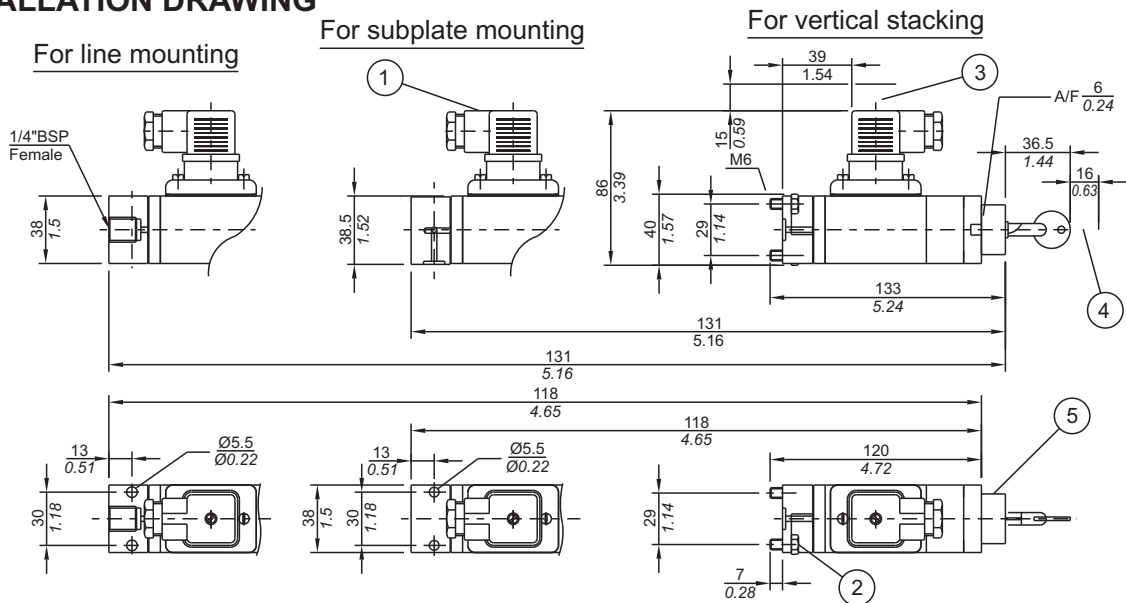
PRESSURE CAPSULE DETAILS



- | No. | Description |
|-----|-------------------------|
| 1. | Backup ring (Teflon®) |
| 2. | O Ring (Viton®) |
| 3. | Cap |
| 4. | Piston (S.S.) |
| 5. | Pressure Housing (M.S.) |
| 6. | Base (M.S.) |
| 7. | Sealing Ring (Viton®) |

Note : *wetted parts* are mentioned in italics.

INSTALLATION DRAWING



- ① can be rotated 90° ② two fixing screws ③ space for removing plug
- ④ space for removing key ⑤ lockable protective cap

APPROX. DIMENSIONS IN $\frac{\text{mm}}{\text{inches}}$

HYDRAULIC PRESSURE SWITCHES **HM350**

GENERAL INFORMATION :

HM series pressure switches have a pressure die-cast aluminium powder coated enclosure and are recommended for manifold mounting hydraulic applications. The repeat accuracy is better than $\pm 1\%$ FSR. A connector to DIN 43650 is provided for wiring. Mainly intended for high pressure hydraulic presses.

FEATURES :

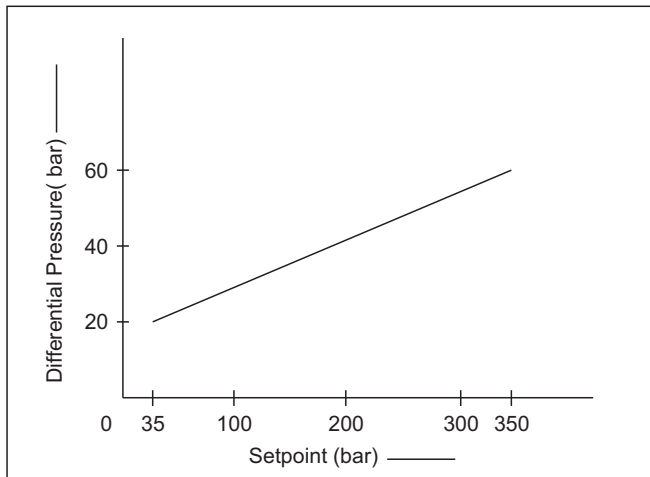
- Compact
- Lightweight
- Three mounting styles
- Lockable protective cap to avoid tampering (optional)
- Choice of wetted parts to suit working media
- Electrical rating : 5A, 250VAC; 0.2A, 250 VDC (res.)

Some Applications : Used in high/low pressure alarms in CNC machines, compressors, hydraulic power packs, manifolds/stacks with sandwich plates, etc.

Range Selection Table

Range Code	Range (rising pressure) bar (psi)	Approximate Maximum Differential* bar (psi)	Maximum Working Pressure bar (psi)
HM350	35 - 350 (507.63 - 5076.32)	60 (870.22)	500 (7251.89)

* Differential rises with setpoint



How to order HM350 Hydraulic pressure switches

Group 1	Group 2	Group 3	Group 4	Group 5	Group 6
Model	Range Code	Base Type	Protective Cap	Wetted Parts	Enclosure
HM - Hydraulic Pressure Switch	350	S - for Subplate mounting. L - for line Mounting V - for vertical Stacking	U - without any protective cap P - with a lockable protective cap	M - for Standard Wetted parts	0 - IP 65 as per IS 2147

Eg. A hydraulic pressure switch, pressure range from 35 bar to 350 bar, as a subplate mounting element without a lockable protective cap and standard wetted parts with a standard enclosure shall be specified by

Group 1	Group 2	Group 3	Group 4	Group 5	Group 6
HM	350	S	U	M	0

Please specify full model number to avoid ambiguity. If only the first two groups are specified while ordering, uncalibrated switches with standard wetted parts and enclosures will be supplied.