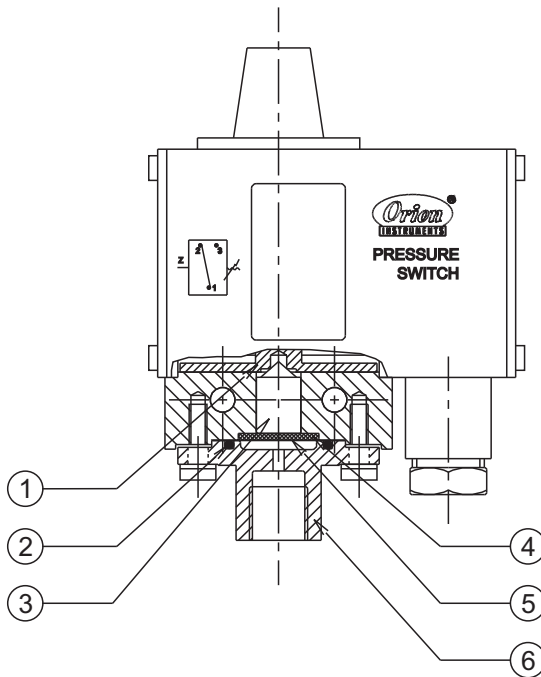


# MIN HYDRAULIC DIAPHRAGM PRESSURE SWITCHES



## PRESSURE CAPSULE DETAILS

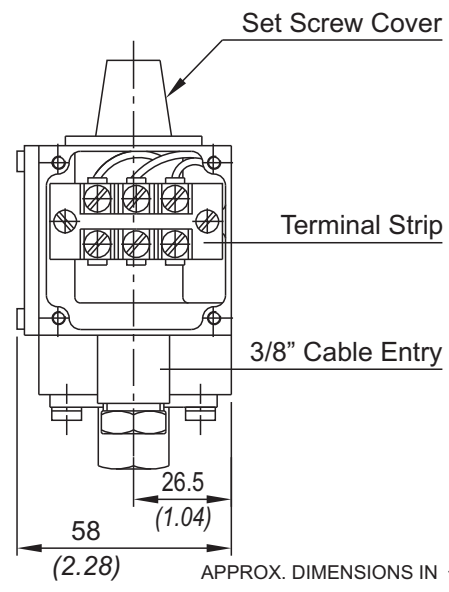
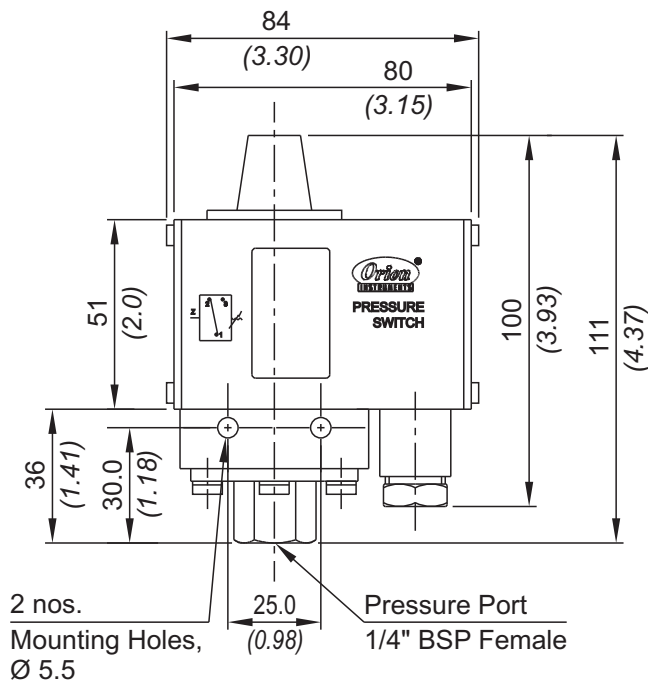


- No. Description**
1. Operating Plunger
  2. Teflon O Ring
  3. Plunger
  4. Support Pad
  5. S.S. Diaphragm
  6. Pressure Housing

\*Pressure ports are brazed with flange

Note : *wetted parts* are mentioned in italics.

## INSTALLATION DRAWING



# HYDRAULIC DIAPHRAGM PRESSURE SWITCHES

# MN

## General information:

MN series hydraulic diaphragm range switches are housed in pressure die cast aluminium powder coated enclosure and are recommended for panel mounting or outdoor service based on the type of enclosure opted for. The repeat accuracy is better than  $\pm 2\%$  FSR. A 3/8" cable entry is provided for cables and a terminal strip suitable for wired ends is provided inside the enclosure. Pressure port is 1/4" BSPF standard.

## Features:

- Separate chamber for working parts
- Choice of wetted parts to suit working media
- Electrical rating : 2A, 250 VAC; 0.2A, 250 VDC (res.)
- Proof pressure available is 1.5 times MWP
- Pressure port : 1/4" BSPF

**Some Applications :** Used for high pressure compressor systems.

## RANGE SELECTION TABLE

Range Code	Range bar (psi)	Differential* bar (psi)	Maximum Working Pressure bar (psi)
		*Approximate Maximum Differential (Fixed) bar (psi)	
H4T	5 - 40 (72.52 - 580.15)	5 (72.52)	200 (2900.76)

\* Minimum differential increases with setpoint (Graphs available on request)

\* Differentials of microswitches A2 through A9 will vary. Differentials for A7 are typically twice that for A1 microswitch. Please indicate specifically the differential value in enquiry/order, when it is critical in your application.

## How to order MN / MA Hydraulic Pressure Switches

Group 1	Group 2	Group 3	Group 4	Group 5	Group 6
Model	Range Code	Range Scale	Pressure Housing	Diaphragm	Enclosure
MN - Fixed Differential pressure switch	H4T - 5 to 40 bar	C - Calibrated	S - SS316	0 - Neoprene 1 - Teflon	0 - IP 54 1 - IP 65

eg. A fixed diff. pressure switch, hydraulic diaphragm range from 5-40 bar in calibrated style with Ss316 pressure housing, a teflon diahragm & IP65 enclosure shall be specified by

Group 1	Group 2	Group 3	Group 4	Group 5	Group 6
MN	H4T	C	S	1	1

Please specify full model number to avoid ambiguity. If only the first two groups are specified while ordering, uncalibrated switches with standard wetted parts and enclosures will be supplied.