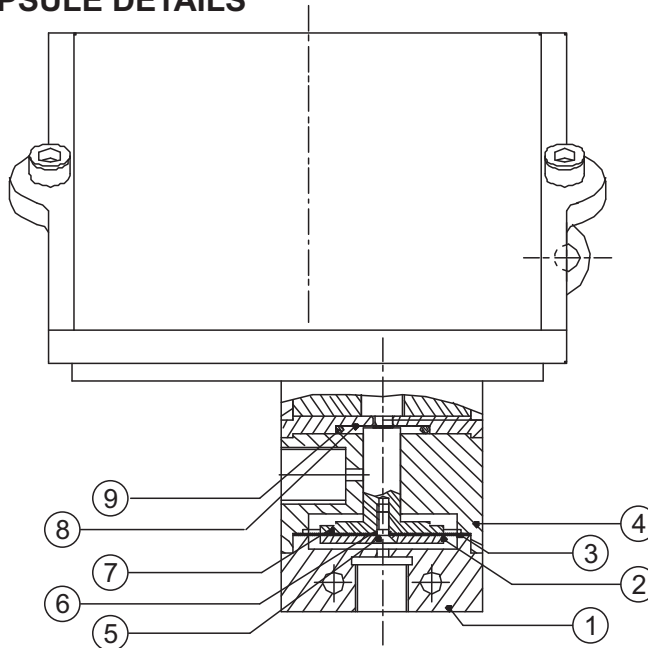


MT HIGH RANGE PRESSURE DIFFERENCE SWITCHES



PRESSURE CAPSULE DETAILS



No. Description

1. Pressure Housing
2. HP Plunger (SS316)
3. Diaphragm
4. Disc
5. CSK Screw (SS)
6. O-Ring (Teflon[®])
7. LP Plunger (SS316)
8. Sealing Diaphragm (Teflon[®])
9. Sealing O-Ring (Teflon[®])

Note : *wetted parts* are mentioned in italics.

*Pressure ports are brazed with flange

INSTALLATION DRAWING

