



PRESSURE SWITCHES
PRESSURE DIFFERENCE SWITCHES
VACUUM SWITCHES
From 1.5 mbar to 600 bar

MT High Range Bellows Switches

CATALOGUE

Certificate No.: FM72815



Kaustubha Udyog AN ISO9001:2008 COMPANY

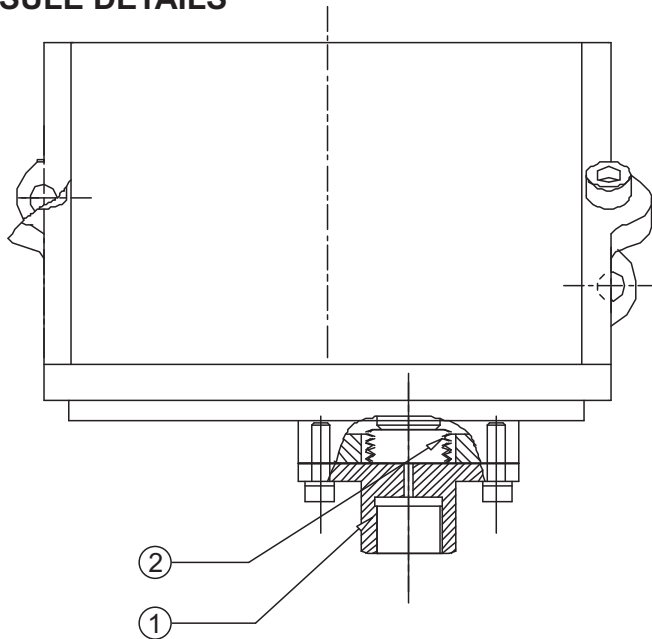
S. No. 36/1/1, Sinhgad Road, Vadgaon Khurd,
Near Lokmat Press, Pune 411 041 INDIA
Tel. : +91-(0) 20-24393577 / 24393877
Telefax: +91-(0) 20-24393577 / 25460486
Email : pressure@vsnl.com

Website : <http://www.orion-instruments.com>

MT HIGH RANGE BELLOWS SWITCHES



PRESSURE CAPSULE DETAILS

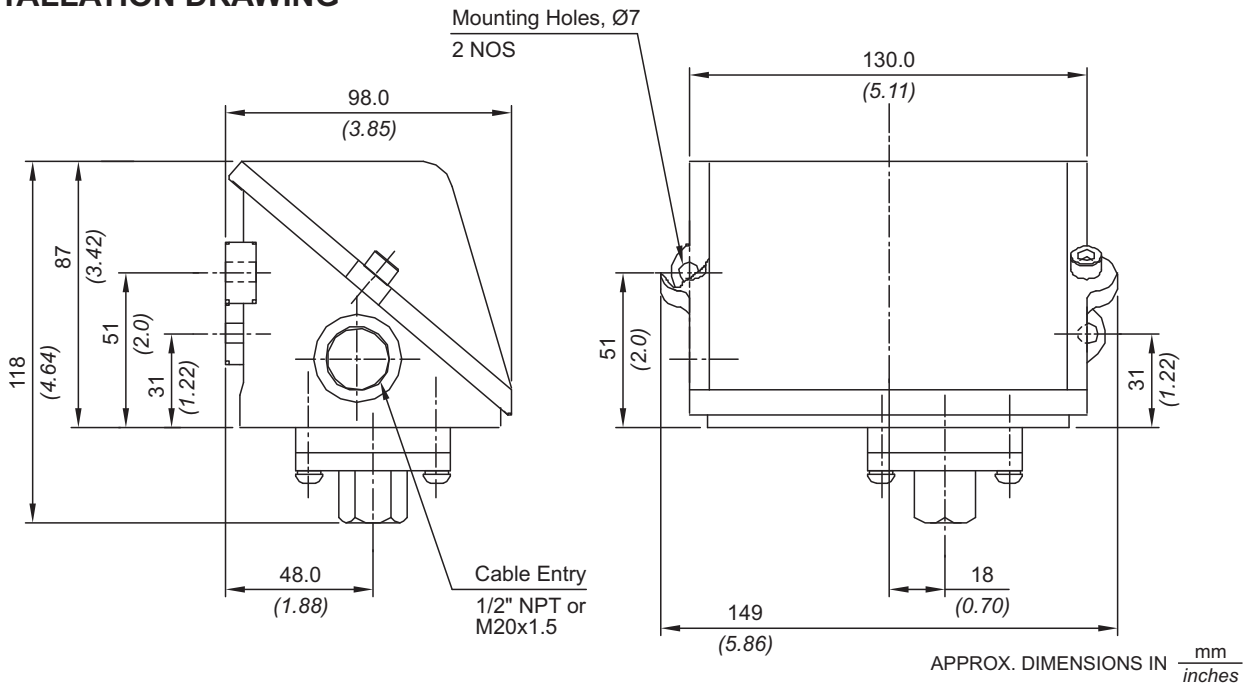


- No. Description**
1. Pressure housing
 2. Metallic bellow

Note : *wetted parts* are mentioned in italics.

*Pressure ports are brazed with flange

INSTALLATION DRAWING



RANGE SELECTION TABLE

Range Code	Range bar (psi)	†Differential bar (psi)	Maximum Working Pressure bar (psi)
		Approximate Maximum for "A1" microswitch	
H01	0.1 - 1.0 (1.45 - 14.50)	0.10 (1.45)	12 (174.05)
H02	0.1 - 1.5 (1.45 - 21.76)	0.12 (1.74)	12 (174.05)
H03	0.2 - 2.6 (2.90 - 37.71)	0.17 (2.46)	12 (174.05)
H04	0.2 - 3.6 (2.90 - 52.21)	0.20 (2.90)	12 (174.05)
H07	0.5 - 7.0 (7.25 - 101.50)	0.40 (5.80)	12 (174.05)
H10	0.5 - 10.0 (7.25 - 145.03)	0.40 (5.80)	25 (362.6)
H15	1.0 - 15.0 (14.50 - 217.56)	0.80 (11.60)	25 (362.6)
H30	5.0 - 25.0 (72.52 - 362.59)	0.80 (11.60)	35 (507.63)
H4T	5.0 - 40.0 (72.52 - 580.15)	5.0 (72.52)	100 (1450.37)
H1H	10.0 - 100.0 (145.03 - 1450.37)	12 (174.05)	200 (2900.76)

*Minimum differential increases with setpoint, values with neoprene diaphragm (Graphs available on request)

* Differentials of microswitches A2 through A9 will vary. Differentials for A7 are typically twice that for A1 microswitch. Please indicate specifically the differential value in enquiry/order, when it is critical in your application.

HOW TO ORDER INDUSTRIAL HIGH RANGE BELLOWS PRESSURE SWITCHES

Group 1	Group 2	Group 3	Group 4	Group 5	Group 6	Group 7	Group 8
Non standard allocation	Model	Cable Entry Size	Switch Type	Range Code (values in bar)	Microswitch Type	Pressure Port Material / Size	Bellows
<input type="checkbox"/> Reserved for non-standard options not covered in catalogue. Will be given by manufacturer, only after agreement of supply details with customer.	MT = Industrial pressure switch with diecast Aluminium enclosure to IP66 as per IS/IEC 60529	1 = Al. head 1/2" NPT threads 3 = Al. head M20 X 1.5 threads	PF1 = pressure switch, fixed differential without scale PF2 = pressure switch, fixed differential with scale in bar PF3 = pressure switch, fixed differential with scale in psi PA1 = pressure switch, adjustable differential without scale PA2 = pressure switch, adjustable differential with scale in bar PA3 = pressure switch, adjustable differential with scale in psi <small>*Available with A9 (in group 6) only</small>	H01 = (0.1 - 1.0) H02 = (0.1 - 1.5) H03 = (0.2 - 2.6) H04 = (0.2 - 3.6) H07 = (0.5 - 7.0) H10 = (0.5 - 10.0) H15 = (1.0 - 15.0) H30 = (5.0 - 25.0) H4T = (5.0 - 40.0) H1H = (10.0 - 100.0)	A1 = General purpose microswitch rated at 15 A; 250 VAC A2 = Hermetically sealed for corrosive environments A3 = gold plated contacts for low voltage applications A4 = DPDT configuration A5 = for high DC ratings A7 = 2SPDT switching elements A9 = General purpose microswitch rated at 5 A; 250 VAC	B1 = Bellows / 1/4" BSP(F) B2 = Bellows / 1/4" NPT(F)	2 = SS 316L

eg. A high range weatherproof bellows switch with 1/2" NPT cable entry in aluminium housing as 1SPDT pressure switch, fixed differential without scale, having 0.1 bar to 1 bar pressure range, with 15Amp. microswitch, SS316 pressure housing with 1/4" BSP port size & SS316L bellows shall be specified by

Group 1	Group 2	Group 3	Group 4	Group 5	Group 6	Group 7	Group 8
<input type="checkbox"/>	MT	1	PF1	H01	A1	B1	2

Please specify full model number to avoid ambiguity.