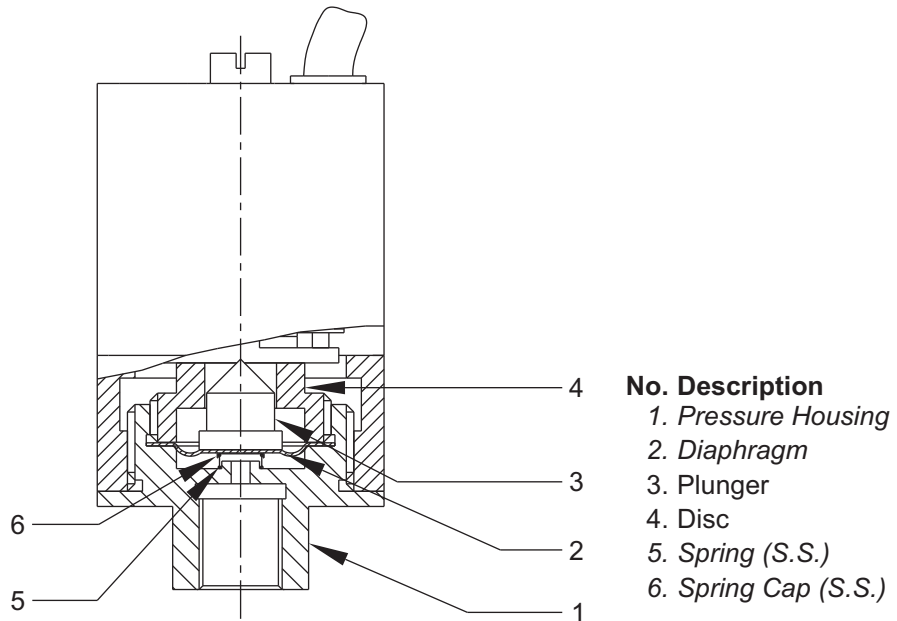


SM OEM HIGH RANGE PRESSURE SWITCHES

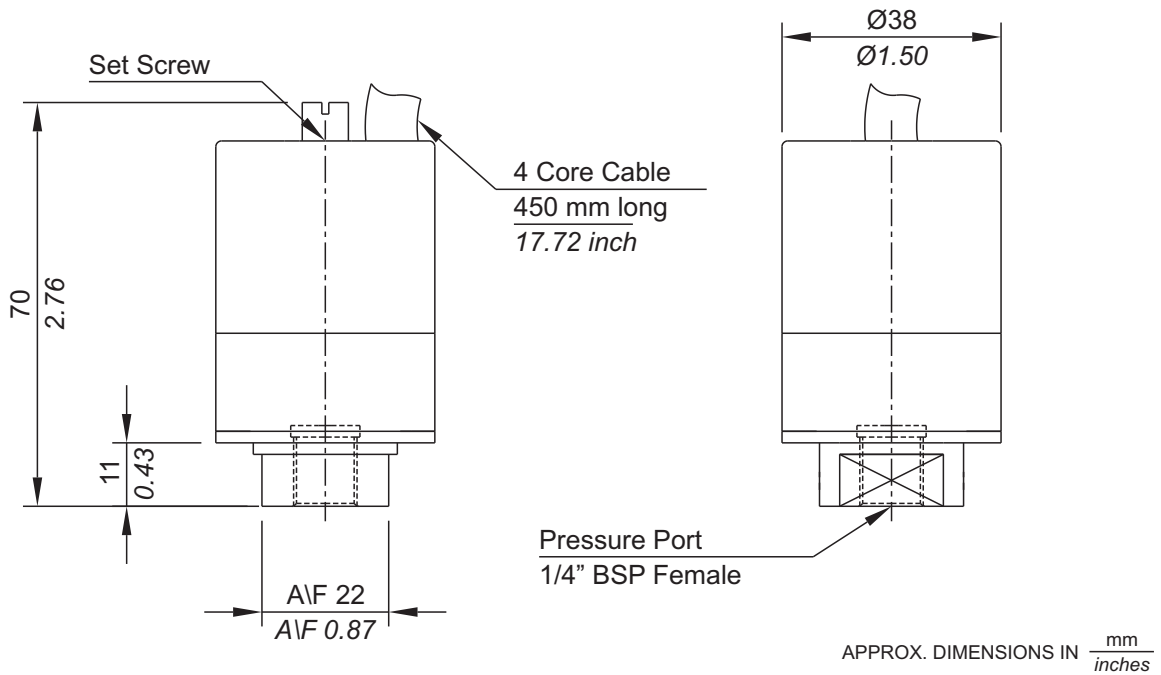


PRESSURE CAPSULE DETAILS



Note : *wetted parts* are mentioned in italics.

INSTALLATION DRAWING



OEM HIGH RANGE PRESSURE SWITCHES

SM

General information:

SM series pressure switches have a cast aluminium enclosure, intended for inhouse use. These are generally used where size is a constraint. The repeat accuracy is better than $\pm 2\%$ FSR. A core cable 450 mm long with C/NO/NC contacts is provided for wiring. Pressure port is $\frac{1}{4}$ " BSPF standard.

Features:

- Compact
- Lightweight
- Electrical rating : 5A, 250VAC; 0.2A, 250 VDC(res.)
- Choice of wetted parts to suit working media
- Proof pressure available can be 4 times MWP (optional)
- Pressure port : $\frac{1}{4}$ " BSPF

Range Selection Table

Range Code	Range (rising pressure) bar (psi)	*Approximate Maximum Differential (fixed) bar (psi)	Maximum Working Pressure bar (psi)
H01	0.2 - 1.0 (2.90 - 14.50)	0.2 (2.90)	12 (174.05)
H03	0.2 - 2.6 (2.90 - 37.71)	0.3 (4.35)	12 (174.05)
H04	0.2 - 3.6 (2.90 - 52.52)	0.3 (4.35)	12 (174.05)
H07	0.5 - 7.0 (7.25 - 101.53)	0.5 (7.25)	12 (174.05)
H10	0.5 - 10.0 (7.25 - 145.04)	1.0 (14.50)	25 (362.6)
H15	1.0 - 15.0 (14.50 - 217.56)	1.5 (21.76)	25 (362.6)
H30	5.0 - 25.0 (72.52 - 362.6)	2.50 (36.26)	35 (507.63)

*Minimum differential increases with setpoint (Graphs available on request)

How to order SM Series High Range Pressure Switches

Group 1	Group 2	Group 3	Group 4	Group 5	Group 6
Model	Range Code	Range Scale	Pressure Housing	Diaphragm	Enclosure
SM - Fixed Differential Pressure switch	H - High range pressure switch	U - Uncalibrated	A - Aluminium B - Brass S - SS316	0 - Neoprene 1 - Teflon	0 - IP 54 as per IS 2147

eg. A single pressure switch, high pressure range from 0.1-1.0 bar in uncalibrated style with brass pressure housing & a teflon diaphragm in a standard enclosure shall be specified by

Group 1	Group 2	Group 3	Group 4	Group 5	Group 6
SM	H01	U	B	1	0

Please specify full model number to avoid ambiguity. If only the first two groups are specified while ordering, switches with standard wetted parts will be supplied.