

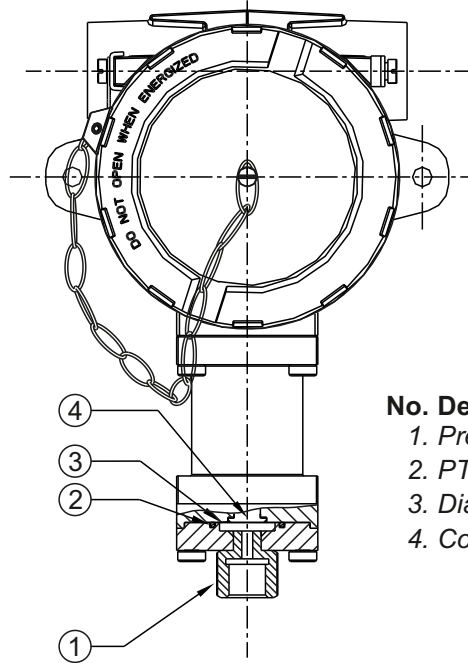
# FC/FE HIGH PROOF HIGH RANGE SWITCHES



## FC



### PRESSURE CAPSULE DETAILS

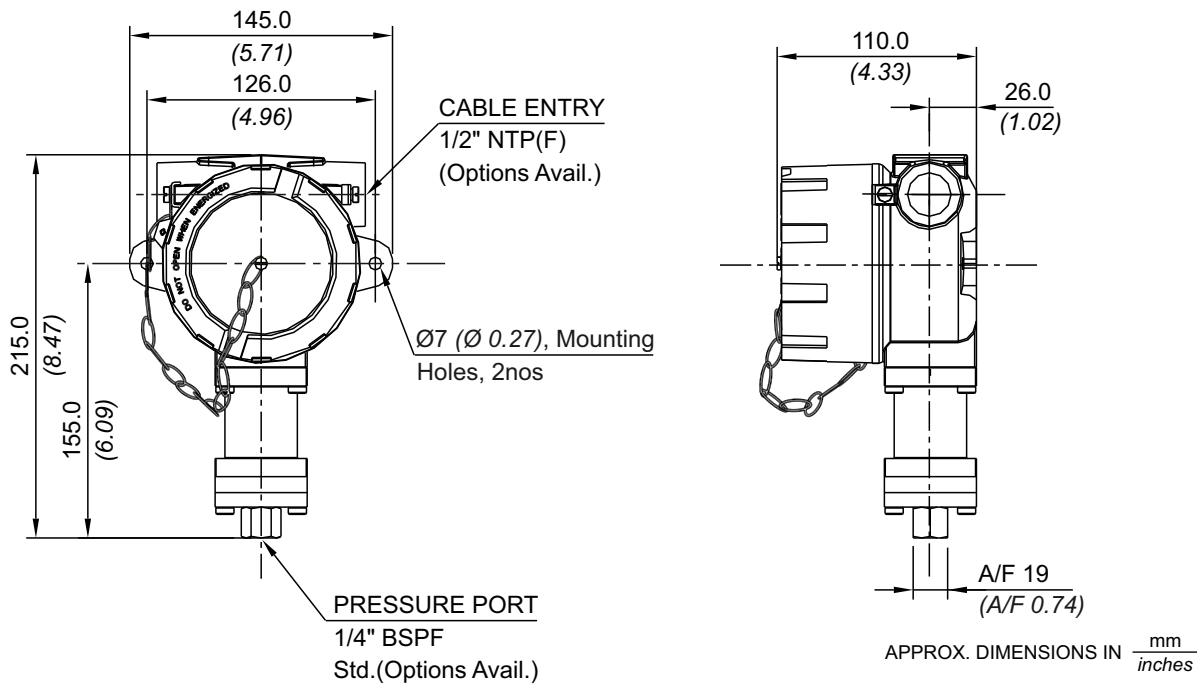


#### No. Description

1. Pressure Housing
2. PTFE O-Ring
3. Diaphragm
4. Conical Plunger

Note : *wetted parts* are mentioned in italics.

### INSTALLATION DRAWING



# FC/FE HIGH PROOF HIGH RANGE SWITCHES

## RANGE SELECTION TABLE

Range Code	Range bar (psi)	Differential* bar (psi)	Maximum Working Pressure bar (psi)
		Approximate Maximum for "A1" microswitch	
P01	0.1 to 1.0 (1.45 to 14.50)	0.20 (2.9)	70.0 (1015.26)
P02	0.1 to 1.5 (1.45 to 21.76)	0.20 (2.9)	70.0 (1015.26)
P03	0.2 to 2.6 (2.90 to 37.71)	0.30 (4.35)	70.0 (1015.26)
P04	0.2 to 3.6 (2.90 to 52.21)	0.40 (5.80)	70.0 (1015.26)
P07	0.5 to 7.0 (7.25 to 101.53)	0.50 (7.25)	70.0 (1015.26)
P10	0.5 to 10.0 (7.25 to 145.04)	0.80 (11.6)	70.0 (1015.26)
P15	1.0 to 15.0 (14.50 to 217.56)	1.50 (21.76)	70.0 (1015.26)
P30	5.0 to 25.0 (72.52 to 362.60)	1.50 (21.76)	70.0 (1015.26)

**Note:**

1. The minimum differential increases with the setpoint. The differential values mentioned in the above table are approximate maximum for FSR. The differential value will vary according to the pressure range selected and microswitch type. For actual values of differential please contact sales office.



Note: Welded diaphragm also available as shown

2. When using 2SPDT switching arrangement, both microswitches may not actuate and/or deactuate at the same point. A small stage gap, normally upto +/- 5% FSR (depending on range code) may be observed. The On-Off differential (hysteresis) typically tends to be atleast double of those published for 1SPDT pressure switches.

If actuation and/or deactuation at same point is critical part of operation, then it can be achieved by using a separate DPDT relay. This relay will need a separate power supply for it's coil.

## HOW TO ORDER FLAMEPROOF HIGH PROOF HIGH RANGE PRESSURE SWITCHES

# HIGH PROOF HIGH RANGE SWITCHES

# FC/FE

Group 1	Group 2	Group 3	Group 4	Group 5	Group 6	Group 7	Group 8
Non standard allocation	Model	Cable Entry Size	Switch Type	Range Code (values in bar)	Microswitch Type	Pressure Port Material / Size	Diaphragm
<input type="checkbox"/> Reserved for non-standard options not covered in catalogue. Will be given by manufacturer, only after agreement of supply details with customer.	<b>FC =</b> IP66 Flameproof pressure switch, ATEX, IECEx & PESO approved <b>FE =</b> IP66 Flameproof pressure switch, PESO approved	<b>1 =</b> Al. head 1/2" NPT threads <b>2 =</b> Al. head 3/4" NPT threads <b>3 =</b> Al. head M20 x 1.5 threads <b>*4 =</b> Grey Cl head 1/2" NPT threads <b>*5 =</b> Grey Cl head 3/4" NPT threads <b>*6 =</b> Grey Cl head M20 x 1.5 threads <b>7 =</b> SS head 1/2" NPT threads <b>8 =</b> SS head 3/4" NPT threads <b>9 =</b> SS head M20 x 1.5 threads  *Not available in FE models	<b>P 1 =</b> pressure switch, fixed differential without scale <b>P 2 =</b> pressure switch, fixed differential with scale in bar <b>P 3 =</b> pressure switch, fixed differential with scale in psi	<b>P01 =</b> (0.1 - 1.0) <b>P02 =</b> (0.1 - 1.5) <b>P03 =</b> (0.2 - 2.6) <b>P04 =</b> (0.2 - 3.6) <b>P07 =</b> (0.5 - 7.0) <b>P10 =</b> (0.5 - 10.0) <b>P15 =</b> (1.0 - 15.0) <b>P30 =</b> (5.0 - 25.0)	<b>A1 =</b> General purpose microswitch rated at 15 A; 250 VAC <b>*A6 =</b> elements with adjustable deadband <b>*A7 =</b> 2SPDT switching elements <b>A8 =</b> General purpose microswitch rated at 5 A, 250 VAC; 5 A, 28 VDC <b>*B7 =</b> 2SPDT Switching Elements <b>C6 =</b> 1SPDT Adjustable Differential  Please refer to page nos. 120 & 121 for options and specifications of microswitches * Please contact sales office for additional information	<b>S1 =</b> SS316 / 1/4" BSP(F) <b>S2 =</b> SS316 / 1/4" NPT(F) <b>S3 =</b> (welded diaphragm) SS316 / 1" BSP(M) <b>S4 =</b> SS316 / 1/2" NPT(F) <b>S5 =</b> SS316 / 1/2" NPT(M) <b>H1 =</b> Hastelloy C / 1/4" BSP(F) <b>H2 =</b> Hastelloy C / 1/4" NPT(F) <b>N1 =</b> Monel / 1/4" BSP(F) <b>N2 =</b> Monel / 1/4" NPT(F)  More options available, please contact sales office	<b>0 =</b> Neoprene <b>1 =</b> PTFE <b>2 =</b> SS 316L <b>3 =</b> Hastelloy C <b>4 =</b> Monel

eg. A high proof high range flameproof switch with 1/2" NPT cable entry in aluminium housing as 1SPDT pressure switch, fixed differential without scale, having 0.1 bar to 1 bar pressure range, with 15 Amp. microswitch, SS316 pressure housing with 1/4" BSP port size & SS316L diaphragm shall be specified by

Group 1	Group 2	Group 3	Group 4	Group 5	Group 6	Group 7	Group 8
<input type="checkbox"/>	FC	1	P1	P01	A1	S1	2

Please specify full model number to avoid ambiguity.