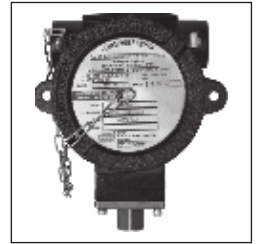


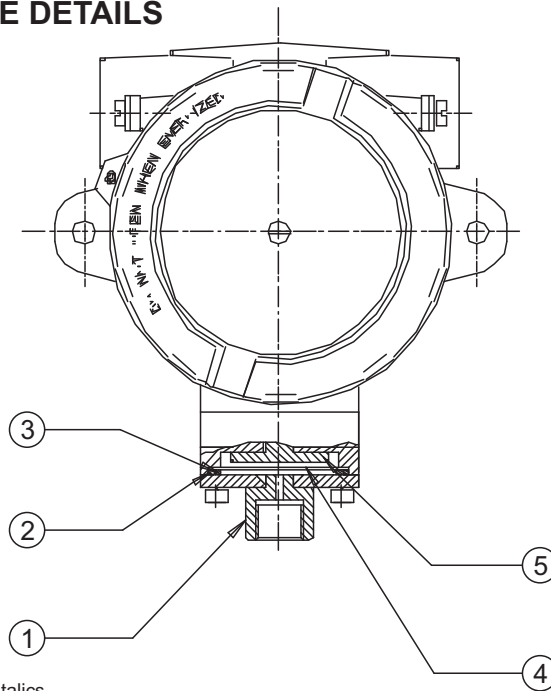
# HIGH PRESSURE RANGES FC/FE



## FE



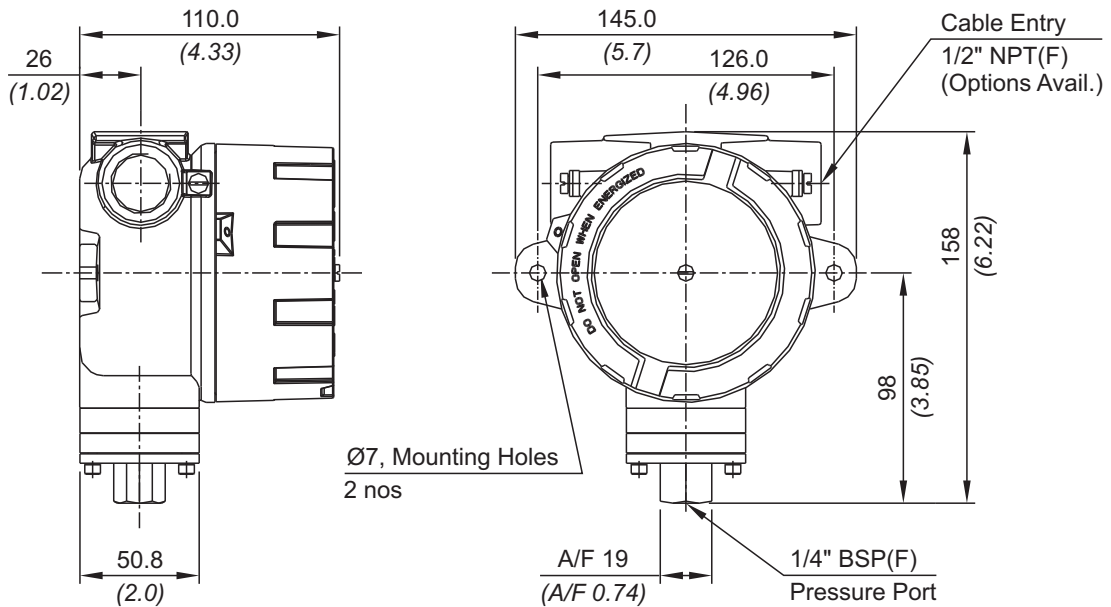
### PRESSURE CAPSULE DETAILS



- No. Description**
1. High Pressure Port
  2. Teflon® O-Ring
  3. SS 316 Ring
  4. Diaphragm
  5. Conical Plunger

Note : *wetted parts* are mentioned in italics.

### INSTALLATION DRAWING



APPROX. DIMENSIONS IN  $\frac{\text{mm}}{\text{inches}}$