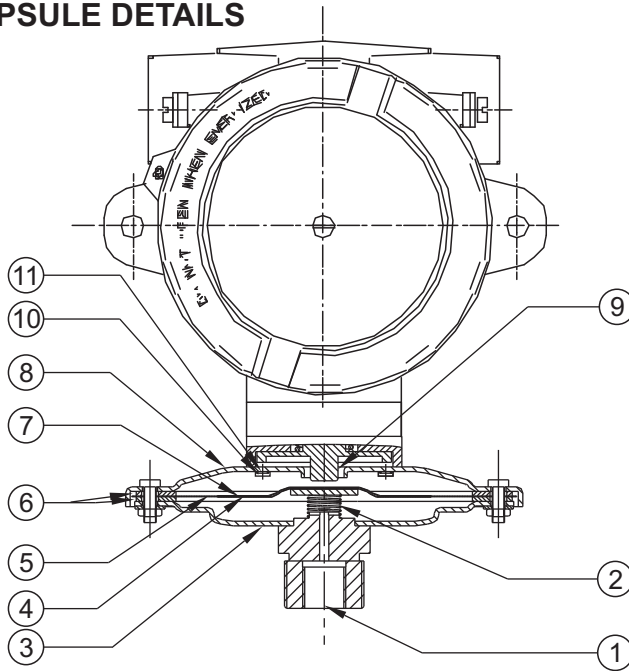




FE



**PRESSURE CAPSULE DETAILS**



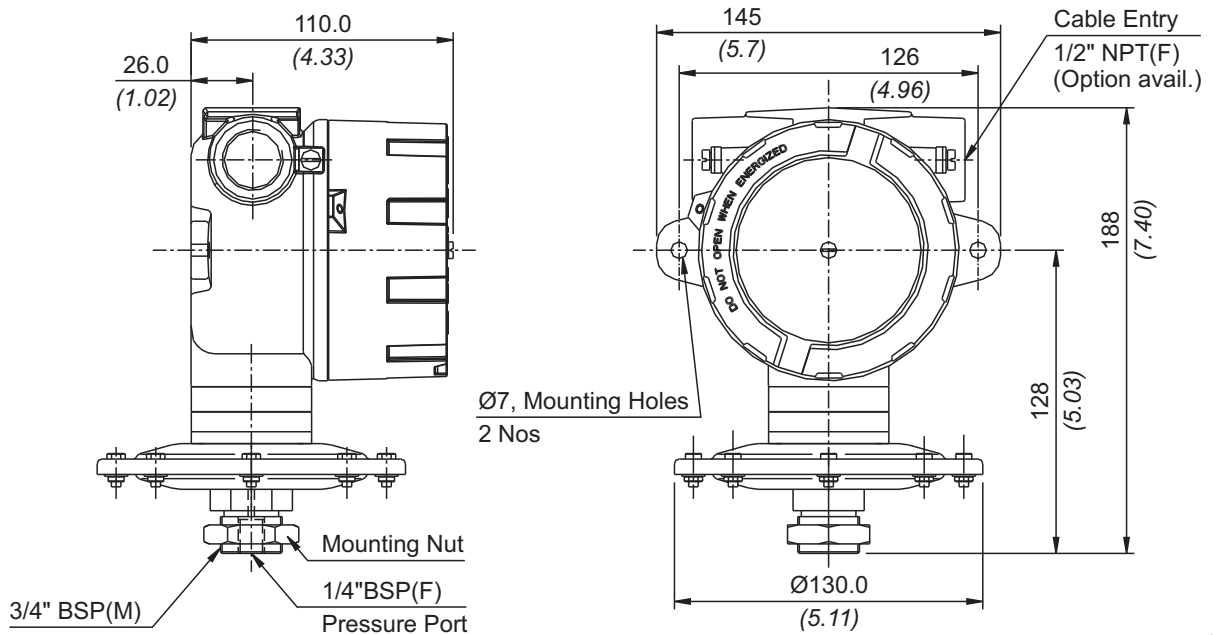
**No. Description**

1. Pressure port (S.S.)\*
2. Support spring (S.S.)
3. Bottom flange (S.S.)
4. Support plate (Aluminium)
5. Diaphragm (Neoprene)
6. Gasket (Nitrile)
7. Top plate (Aluminium)
8. Top flange (S.S.)
9. Plunger (Aluminium)
10. Top flange screw (S.S.)
11. Sealing 'O' ring (Nitrile)

\*Pressure port is brazed with flange

Note : wetted parts are mentioned in italics.

**INSTALLATION DRAWING**



APPROX. DIMENSIONS IN  $\frac{\text{mm}}{\text{inches}}$